

261 EPA

Spare parts

Replaces

Ersatzteile

Ersetzt

Pièces détachées

Remplace

Reserve onderdelen

Vervangt

Repuestos

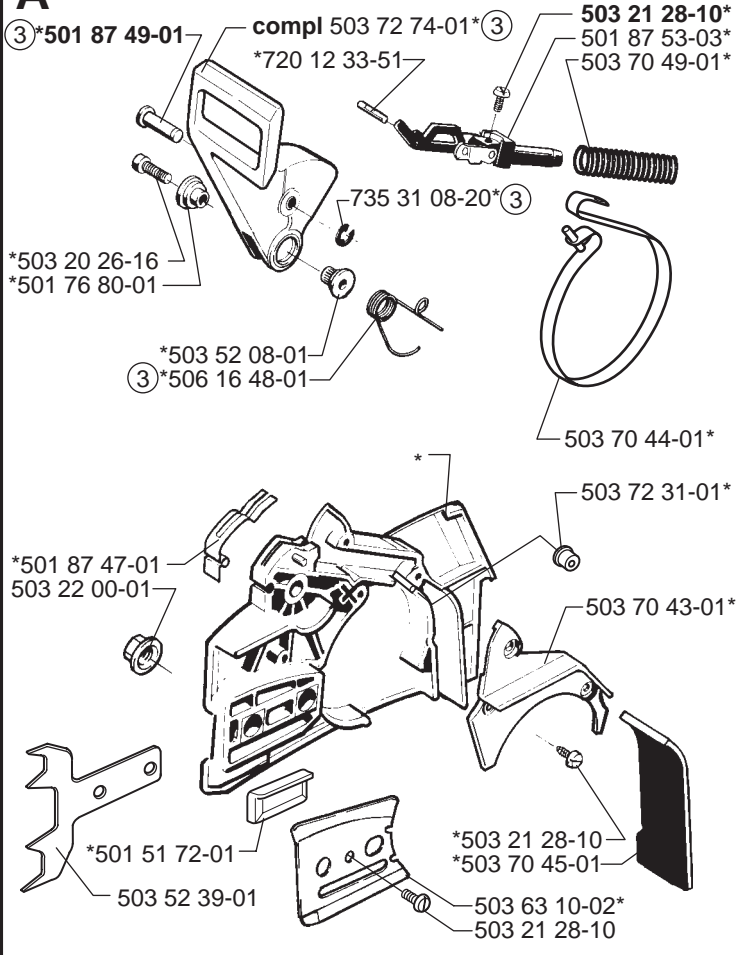
Reemplaza

Reservdelar

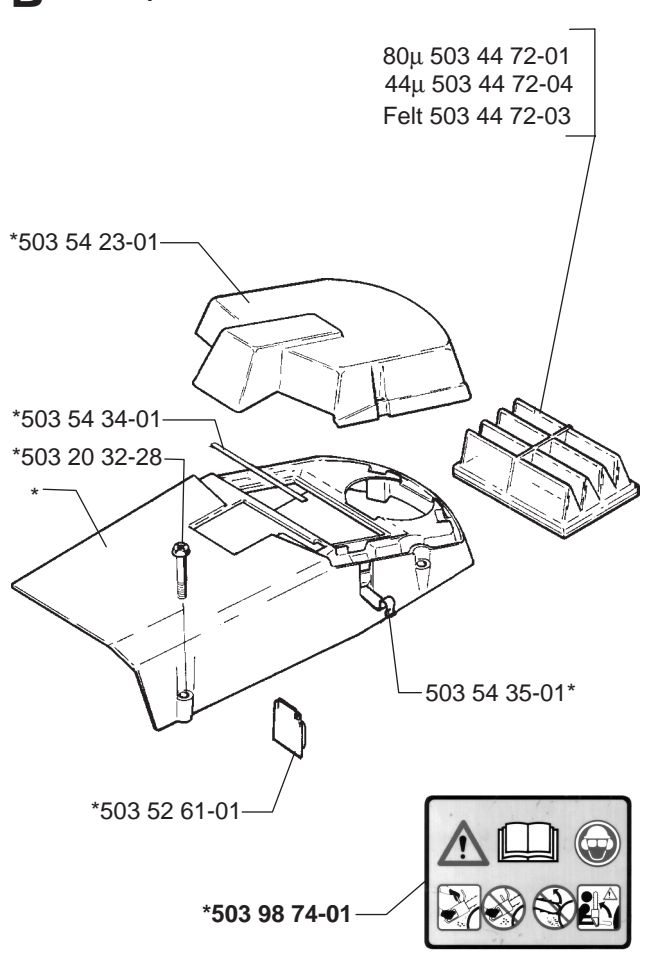
Ersätter

106 25 01-61

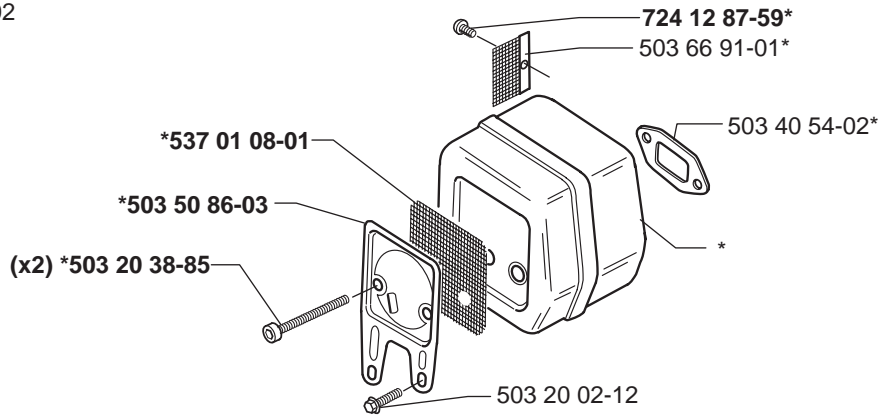
A *compl 503 74 70-72



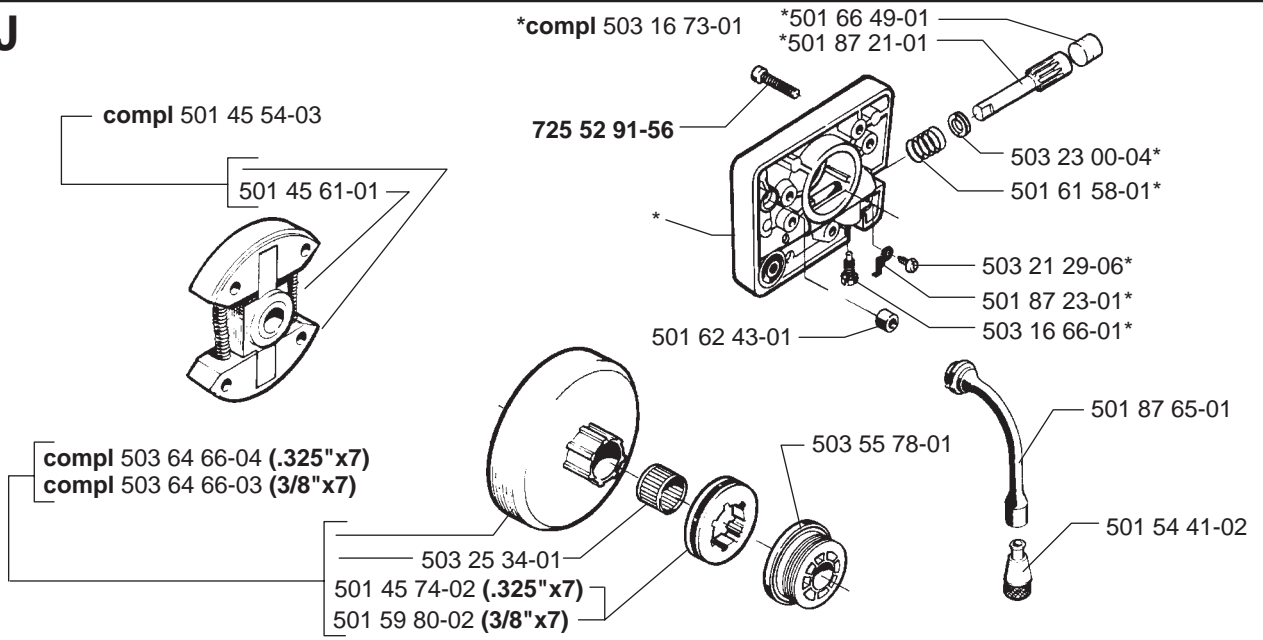
B *compl 503 54 21-70



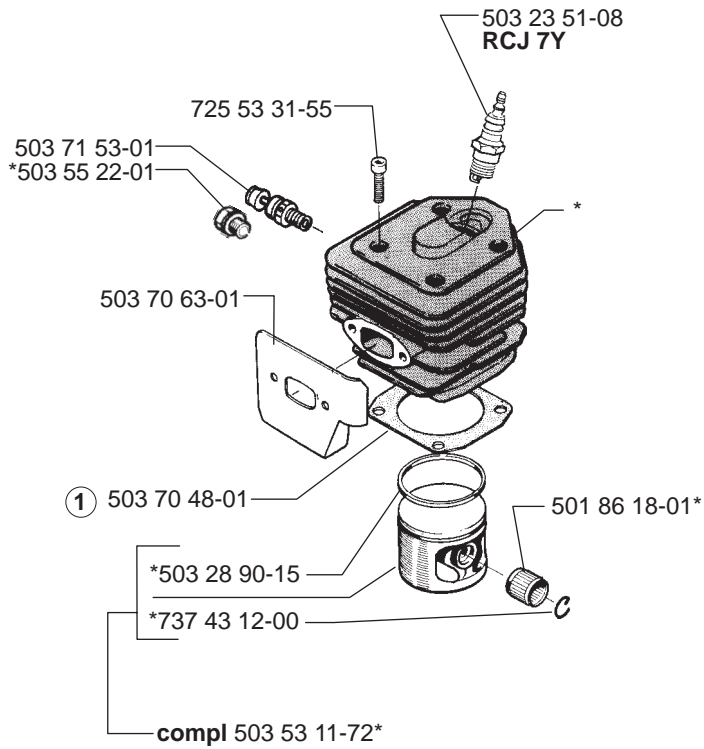
F *compl 503 97 25-02



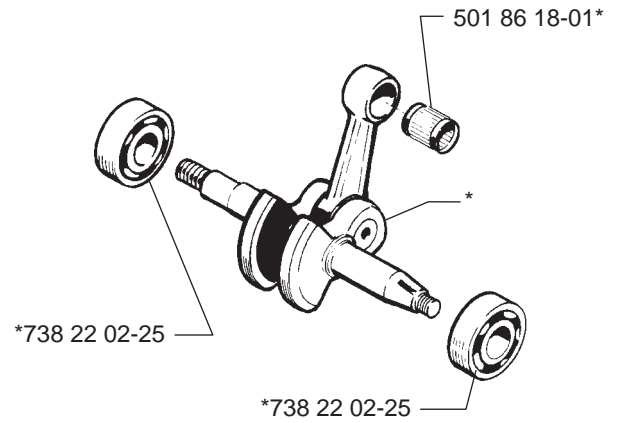
J



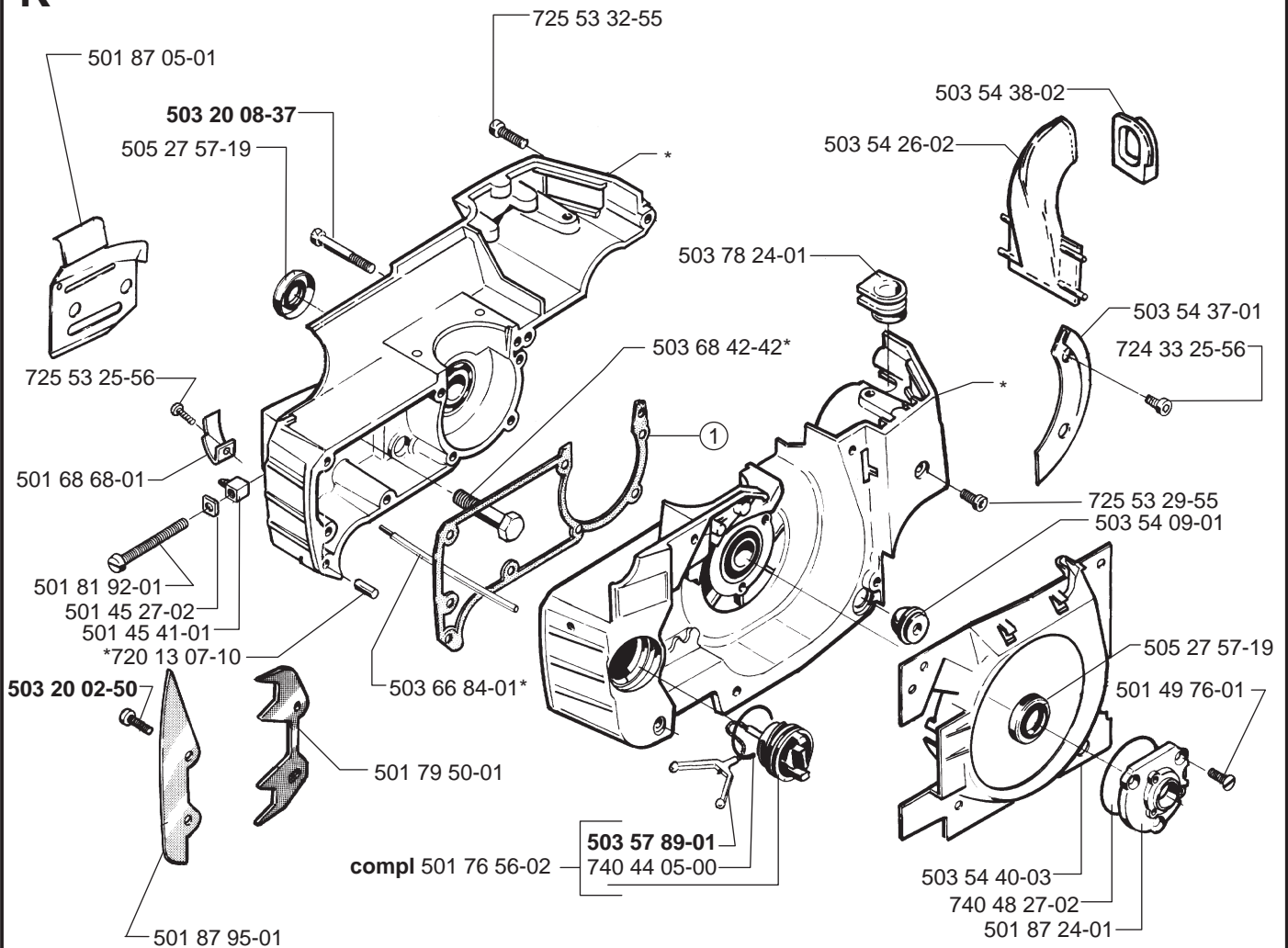
C *compl 503 90 79-72



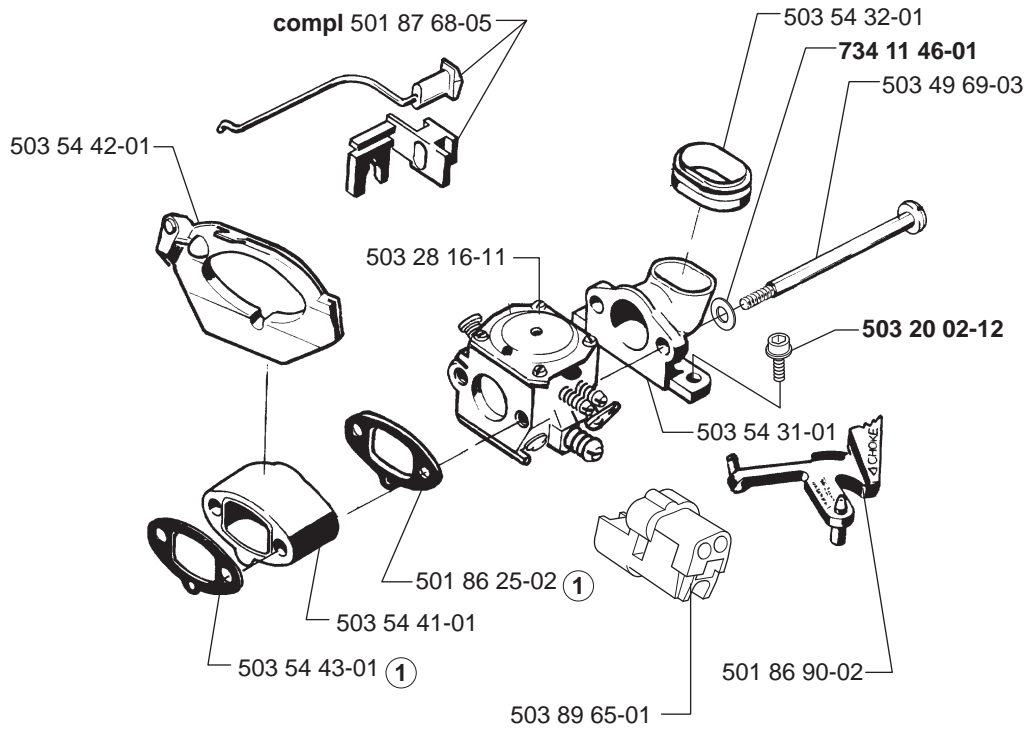
G *compl 506 18 19-72



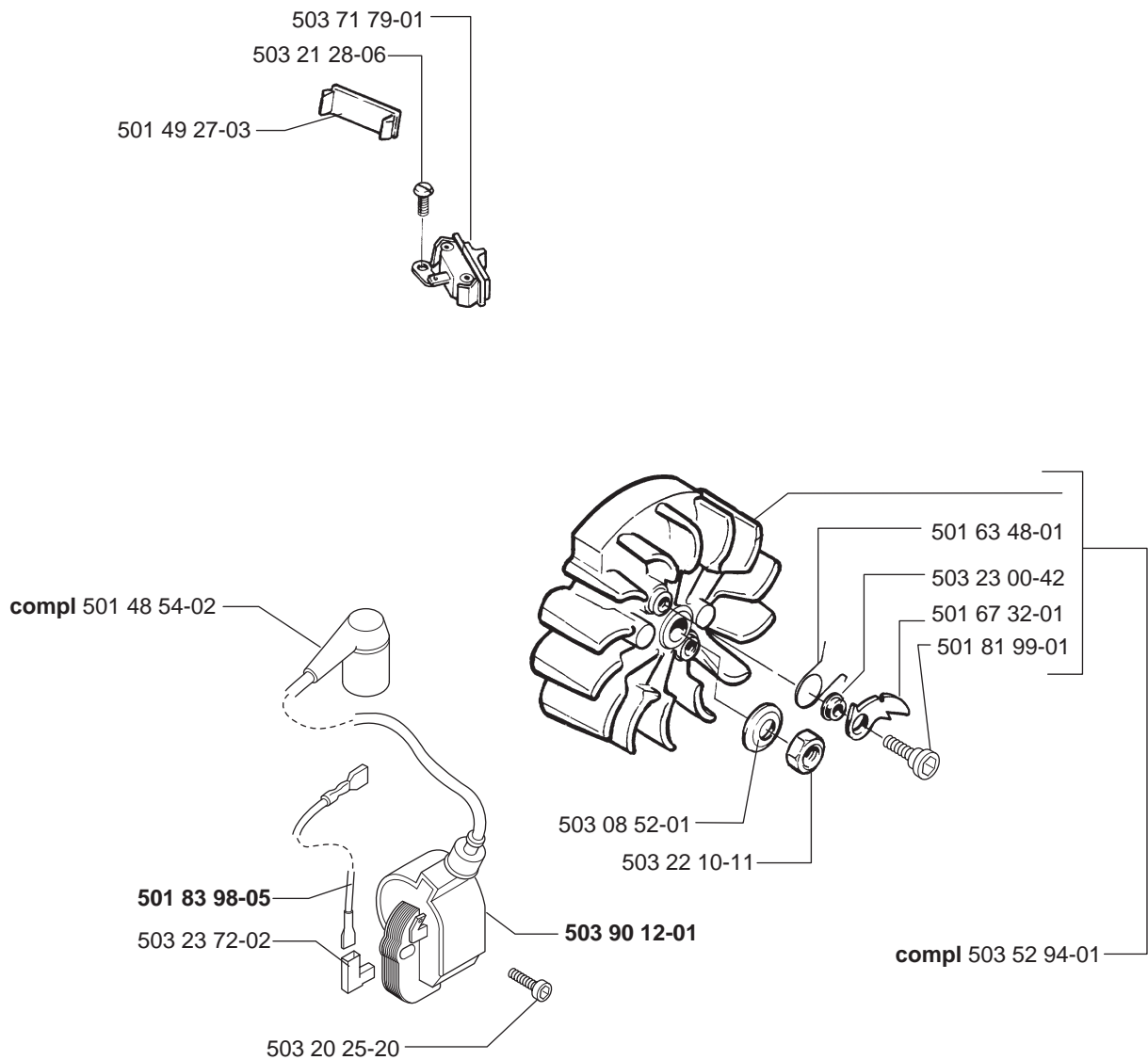
K *compl 501 86 00-04

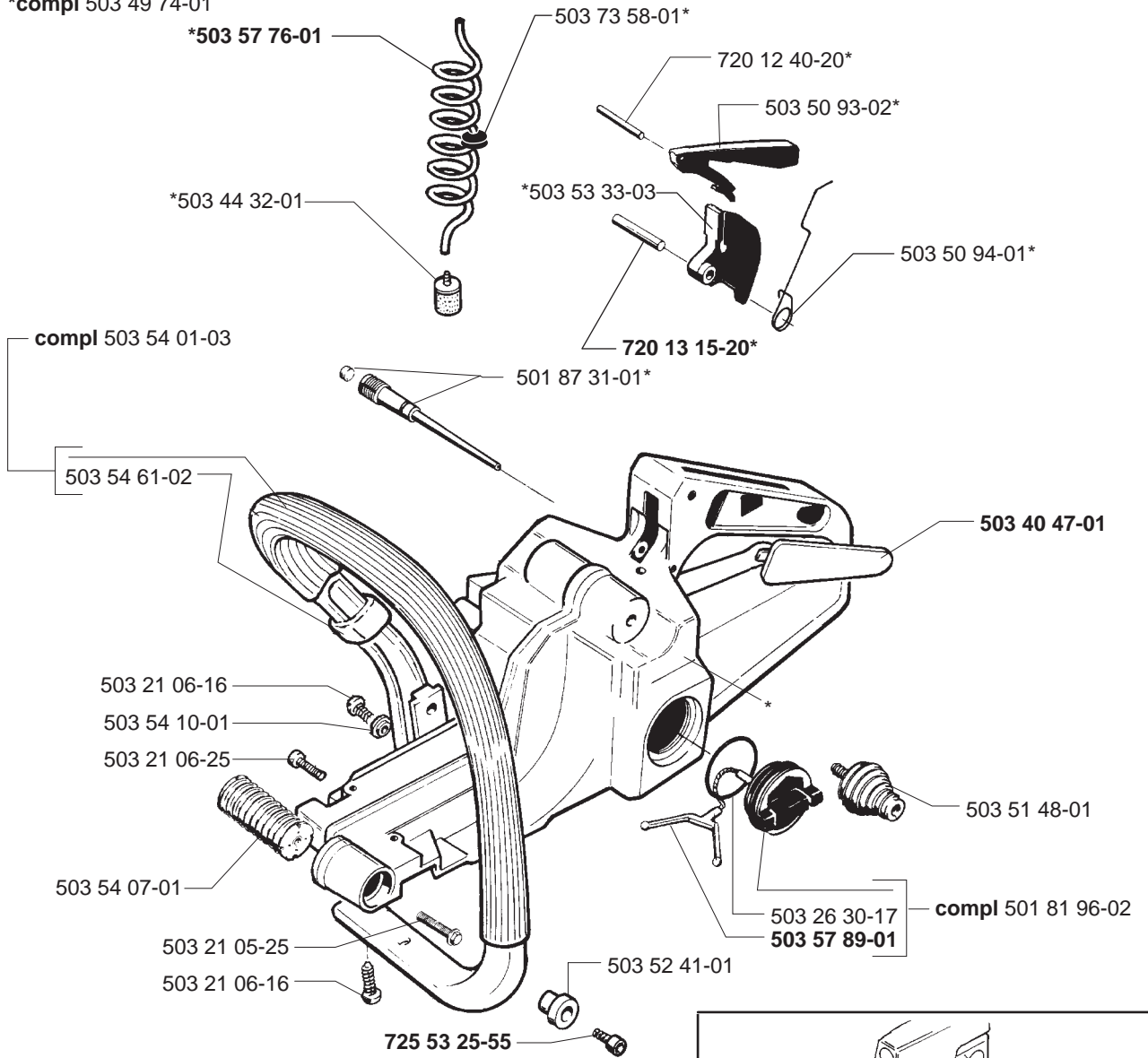
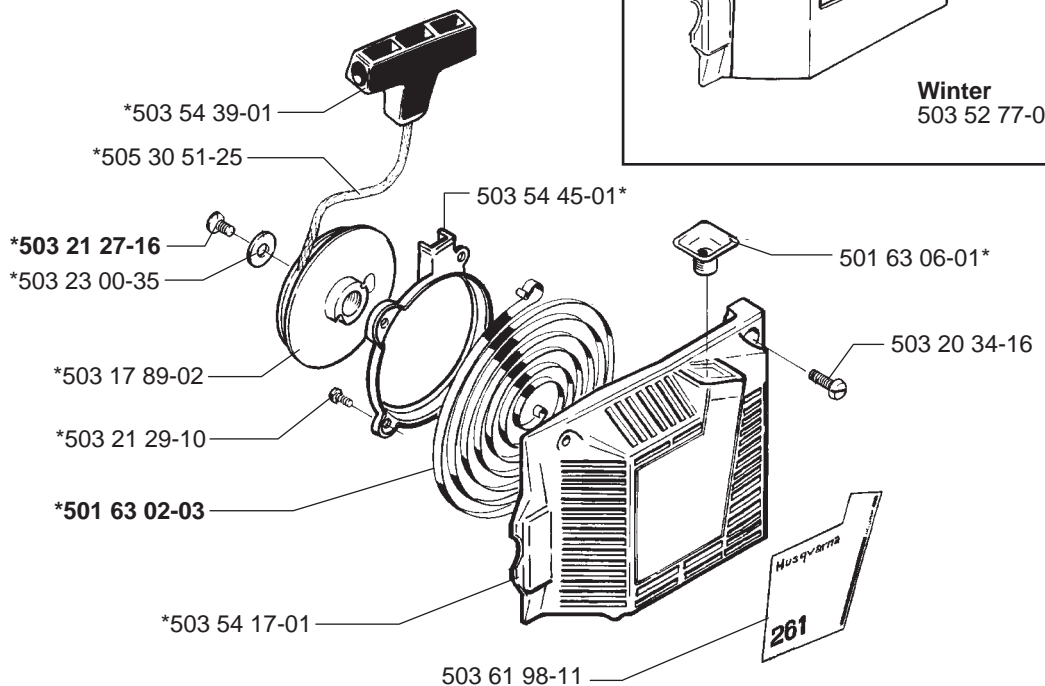


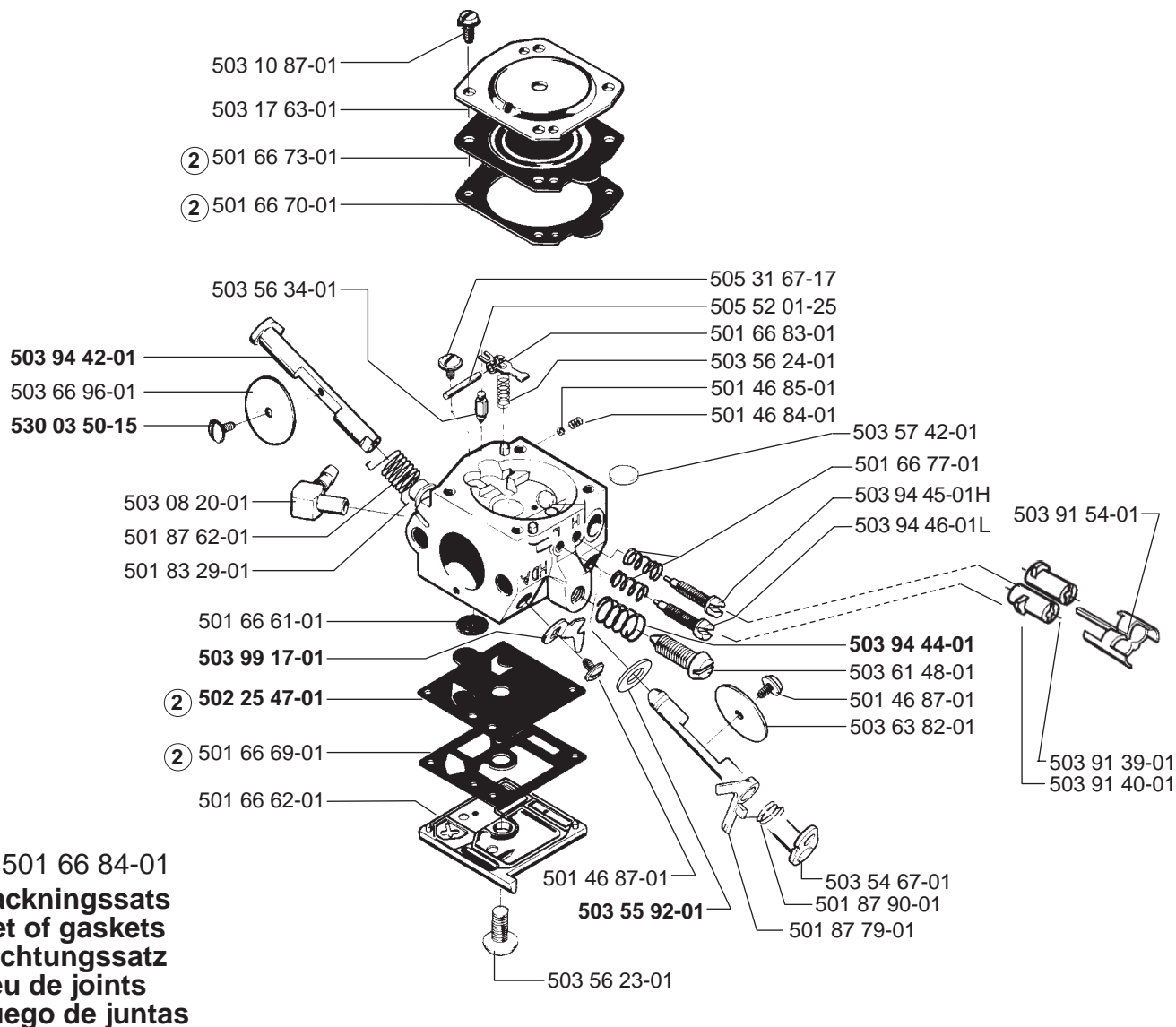
D



H

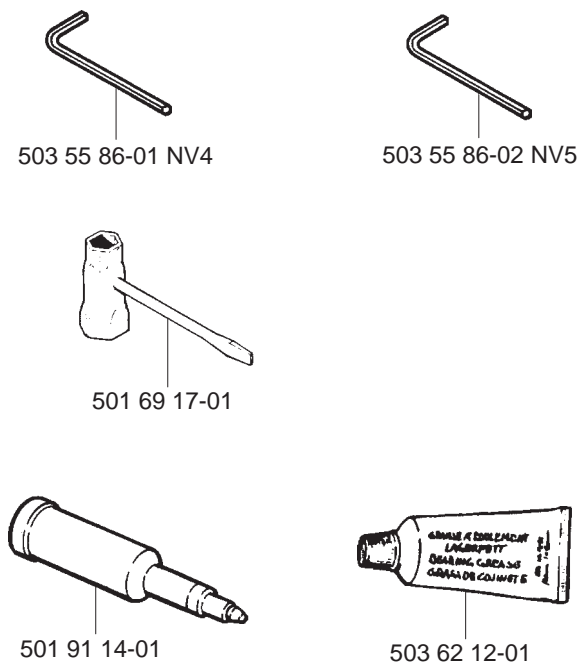


E***compl 503 49 74-01****L*****compl 503 54 16-01**



N *compl 503 55 85-01

Tillbehör
Accessories
Zubehöre
Accessoires
Accesorios



MODEL 261 EPA

PART NUMBER	SQUARE NOTE	PART NUMBER	SQUARE NOTE	PART NUMBER	SQUARE NOTE	PART NUMBER	SQUARE NOTE
501 45 27-02	K	503 20 26-16	A	503 55 86-01	N	740 44 05-00	K
501 45 41-01	K	503 20 32-28	B	503 55 86-02	N	740 48 27-02	K
501 45 54-03	J	503 20 34-16	L	503 55 92-01	M		
501 45 61-01	J	503 20 38-85	F	503 56 23-01	M		
501 45 74-02	J	503 21 05-25	E	503 56 24-01	M		
501 46 84-01	M	503 21 06-16	E	503 56 34-01	M		
501 46 85-01	M	503 21 06-25	E	503 57 42-01	M		
501 46 87-01	M	503 21 27-16	L	503 57 76-01	E		
501 48 54-02	H	503 21 28-06	H	503 57 89-01	EK		
501 49 27-03	H	503 21 28-10	A	503 61 48-01	M		
501 49 76-01	K	503 21 29-06	J	503 61 98-11	L		
501 51 72-01	A	503 21 29-10	L	503 62 12-01	N		
501 54 41-02	J	503 22 00-01	A	503 63 10-02	A		
501 59 80-02	J	503 22 10-11	H	503 63 82-01	M		
501 61 58-01	J	503 23 00-04	J	503 64 66-03	J		
501 62 43-01	J	503 23 00-35	L	503 64 66-04	J		
501 63 02-03	L	503 23 00-42	H	503 66 84-01	K		
501 63 06-01	L	503 23 51-08	C	503 66 91-01	F		
501 63 48-01	H	503 23 72-02	H	503 66 96-01	M		
501 66 49-01	J	503 25 34-01	J	503 68 42-42	K		
501 66 61-01	M	503 26 30-17	E	503 70 43-01	A		
501 66 62-01	M	503 28 16-11	DM	503 70 44-01	A		
501 66 69-01	M	503 28 90-15	C	503 70 45-01	A		
501 66 70-01	M	503 40 47-01	E	503 70 48-01	C		
501 66 73-01	M	503 40 54-02	F	503 70 49-01	A		
501 66 77-01	M	503 44 32-01	E	503 70 63-01	C		
501 66 83-01	M	503 44 72-01	B	503 71 53-01	C		
501 66 84-01	M	503 44 72-03	B	503 71 79-01	H		
501 67 32-01	H	503 44 72-04	B	503 72 31-01	A		
501 68 68-01	K	503 49 69-03	D	503 72 74-01	A		
501 69 17-01	N	503 49 74-01	E	503 73 58-01	E		
501 76 56-02	K	503 50 86-03	F	503 74 70-72	A		
501 76 80-01	A	503 50 93-02	E	503 78 24-01	K		
501 79 50-01	K	503 50 94-01	E	503 89 65-01	D		
501 81 92-01	K	503 51 48-01	E	503 90 12-01	H		
501 81 96-02	E	503 52 08-01	A	503 90 79-72	C		
501 81 99-01	H	503 52 39-01	A	503 91 39-01	M		
501 83 29-01	M	503 52 41-01	E	503 91 40-01	M		
501 83 98-05	H	503 52 61-01	B	503 91 54-01	M		
501 86 00-04	K	503 52 77-01	L	503 94 42-01	M		
501 86 18-01	CG	503 52 94-01	H	503 94 44-01	M		
501 86 25-02	D	503 53 11-72	C	503 94 45-01	M		
501 86 90-02	D	503 53 33-03	E	503 94 46-01	M		
501 87 05-01	K	503 54 01-03	E	503 97 25-02	F		
501 87 21-01	J	503 54 07-01	E	503 98 74-01	B		
501 87 23-01	J	503 54 09-01	K	503 99 17-01	M		
501 87 24-01	K	503 54 10-01	E	505 27 57-19	K		
501 87 31-01	E	503 54 16-01	L	505 30 51-25	L		
501 87 47-01	A	503 54 17-01	L	505 31 67-17	M		
501 87 49-01	A	503 54 21-70	B	505 52 01-25	M		
501 87 53-03	A	503 54 23-01	B	506 16 48-01	A		
501 87 62-01	M	503 54 26-02	K	506 18 19-72	G		
501 87 65-01	J	503 54 31-01	D	530 03 50-15	M		
501 87 68-05	D	503 54 32-01	D	537 01 08-01	F		
501 87 79-01	M	503 54 34-01	B	720 12 33-51	A		
501 87 90-01	M	503 54 35-01	B	720 12 40-20	E		
501 87 95-01	K	503 54 37-01	K	720 13 07-10	K		
501 91 14-01	N	503 54 38-02	K	720 13 15-20	E		
502 25 47-01	M	503 54 39-01	L	724 12 87-59	F		
503 08 20-01	M	503 54 40-03	K	724 33 25-56	K		
503 08 52-01	H	503 54 41-01	D	725 52 91-56	J		
503 10 87-01	M	503 54 42-01	D	725 53 25-55	E		
503 16 66-01	J	503 54 43-01	D	725 53 25-56	K		
503 16 73-01	J	503 54 45-01	L	725 53 29-55	K		
503 17 63-01	M	503 54 61-02	E	725 53 31-55	C		
503 17 89-02	L	503 54 62-02		725 53 32-55	K		
503 20 02-12	DF	503 54 67-01	M	734 11 46-01	D		
503 20 02-50	K	503 55 22-01	C	735 31 08-20	A		
503 20 08-37	K	503 55 78-01	J	737 43 12-00	C		
503 20 25-20	H	503 55 85-01	N	738 22 02-25	G		

1 compl. = 503 54 62-02
2 compl. = 501 66 84-01

Set of gaskets
Dichtungssatz
Jeu de joints
Juego de juntas
Packningssats

N = New part
Neues teil
Nouvelle piece
Nueva pieza
Ny detalj

EPA = Environmental Protection Agency